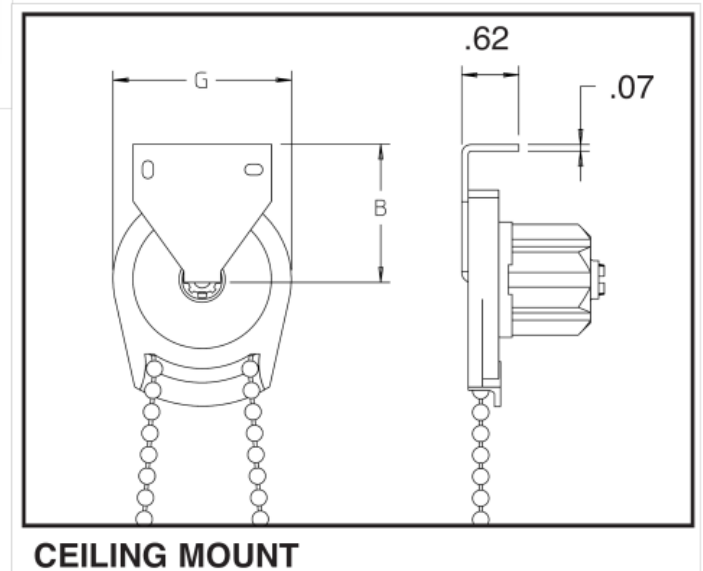
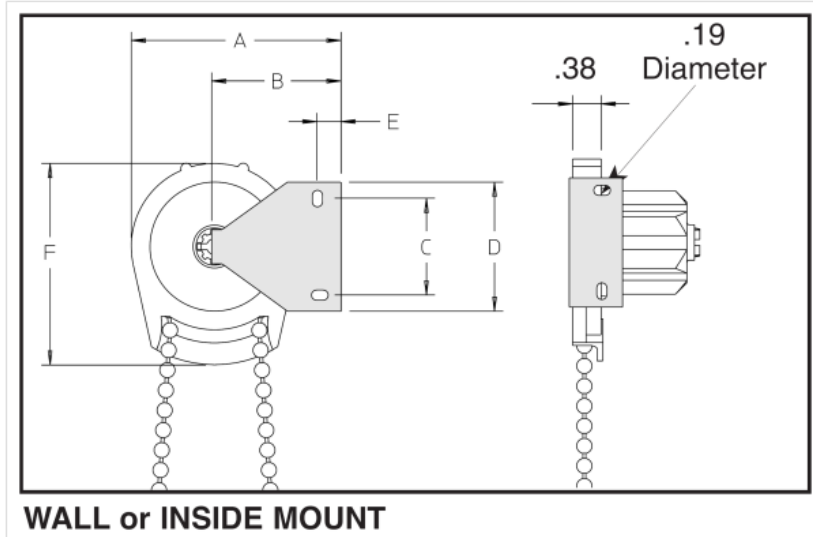


R-Series Component Dimensions



Clutch Model	Bracket Model	A	B	C	D	E	F	G
R3	360	2.24	1.50	1.06	1.50	0.28	1.82	1.48
	380	2.74	2.00	1.06	1.50	0.28	1.82	1.48
R8	360	2.48	1.50	1.06	1.50	0.28	2.35	1.95
	380	2.98	2.00	1.06	1.50	0.28	2.35	1.95
R16	560	2.95	1.62	2.00	2.50	0.31	3.21	2.65
	580	3.45	2.12	2.00	2.50	0.30	3.21	2.65
R24	580	3.91	2.12	2.00	2.50	0.31	4.29	3.58

All dimensions are in inches