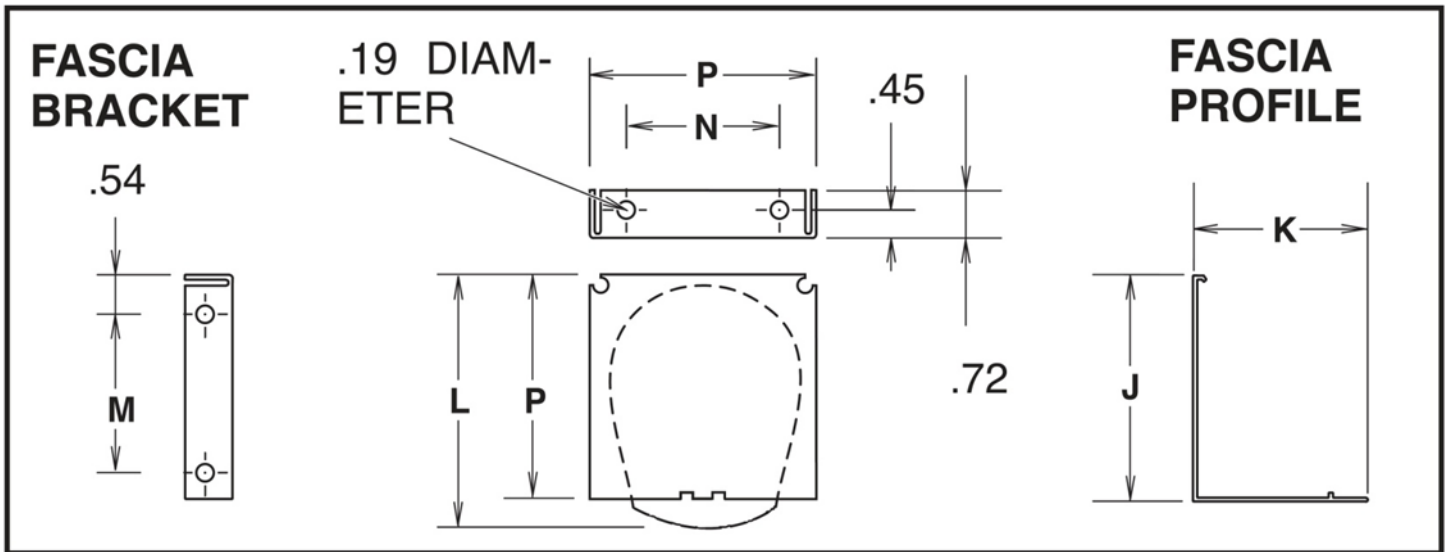




Fascia Component Dimensions



Clutch Model	Bracket Model	Fascia Height	J	K	L	M	N	P
R8	361/362	3 Inch	3.06	2.28	3.31	2.08	1.93	3.00
R16	561	3 Inch	3.06	2.28	3.35	2.08	1.93	3.00
R24	581	4 Inch	4.06	2.78	4.50	3.08	2.93	4.00

All dimensions are in inches