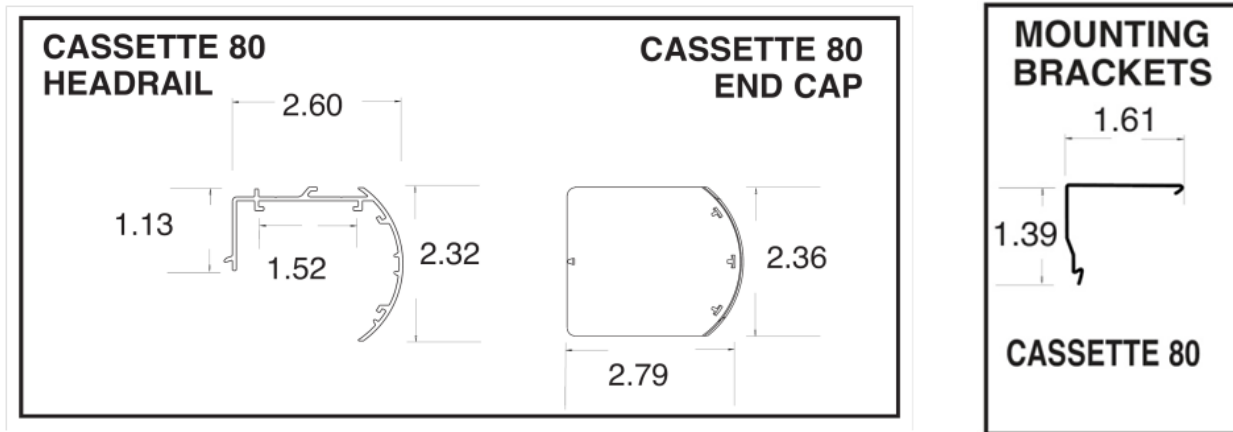


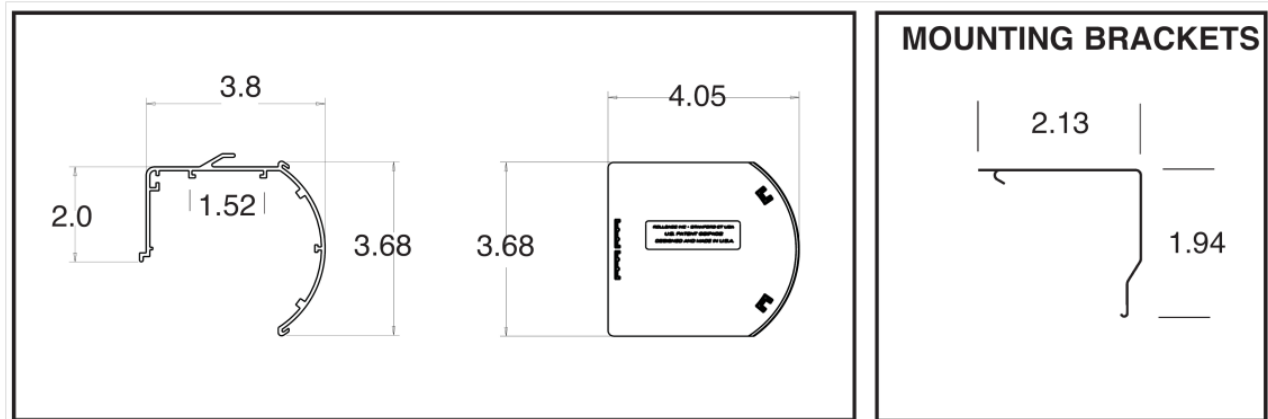


CASSETTE COMPONENT DIMENSIONS

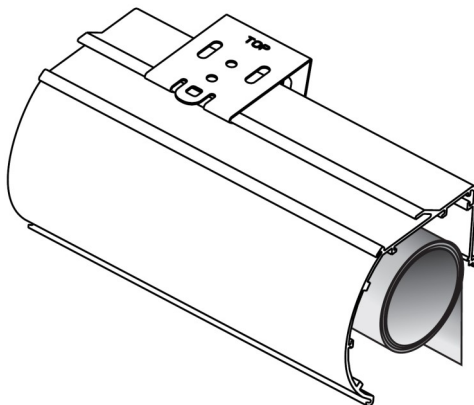
Cassette 80 Component Dimensions



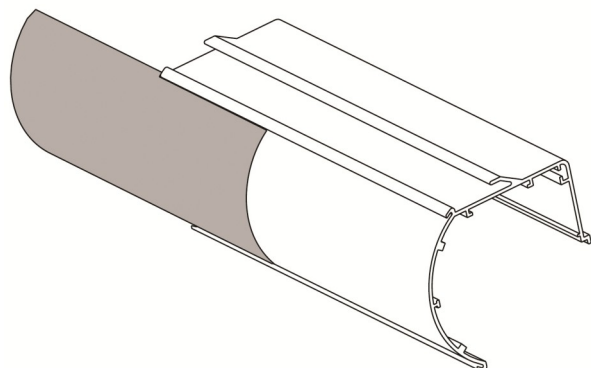
Cassette 120 Component Dimensions



All dimensions are in inches



Cassette Cut-Away



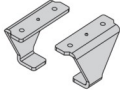
Cassette Cut-Away



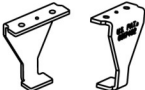
International Universal Bracket Projections

R-Series

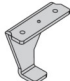
CASSETTE 80

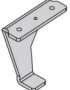
 **R3/R8 : 1.115 inches**

CASSETTE 120

 **R16 : 1.672 inches**

R3/R8

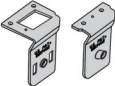
 **: 1.274 inches**

 **: 1.672 inches**

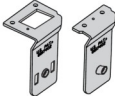
Skyline

(from base to tube center)

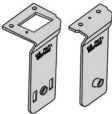
Cassette-80 (Use with SL-5, SL-10)

 **1" Projection Bracket actual 1.078"**
1" Intermediate Bracket actual 1.078"

Cassette-120 (Use with SL-15, SL-20)

 **1.5" Projection Bracket actual 1.635"**
1.5" Intermediate Bracket actual 1.635"

Cassette-120 (Use with SL-10)

 **2" Projection Bracket actual 2.000"**
2" Intermediate Bracket actual 2.000"